

8

7

6

5

4

3

2

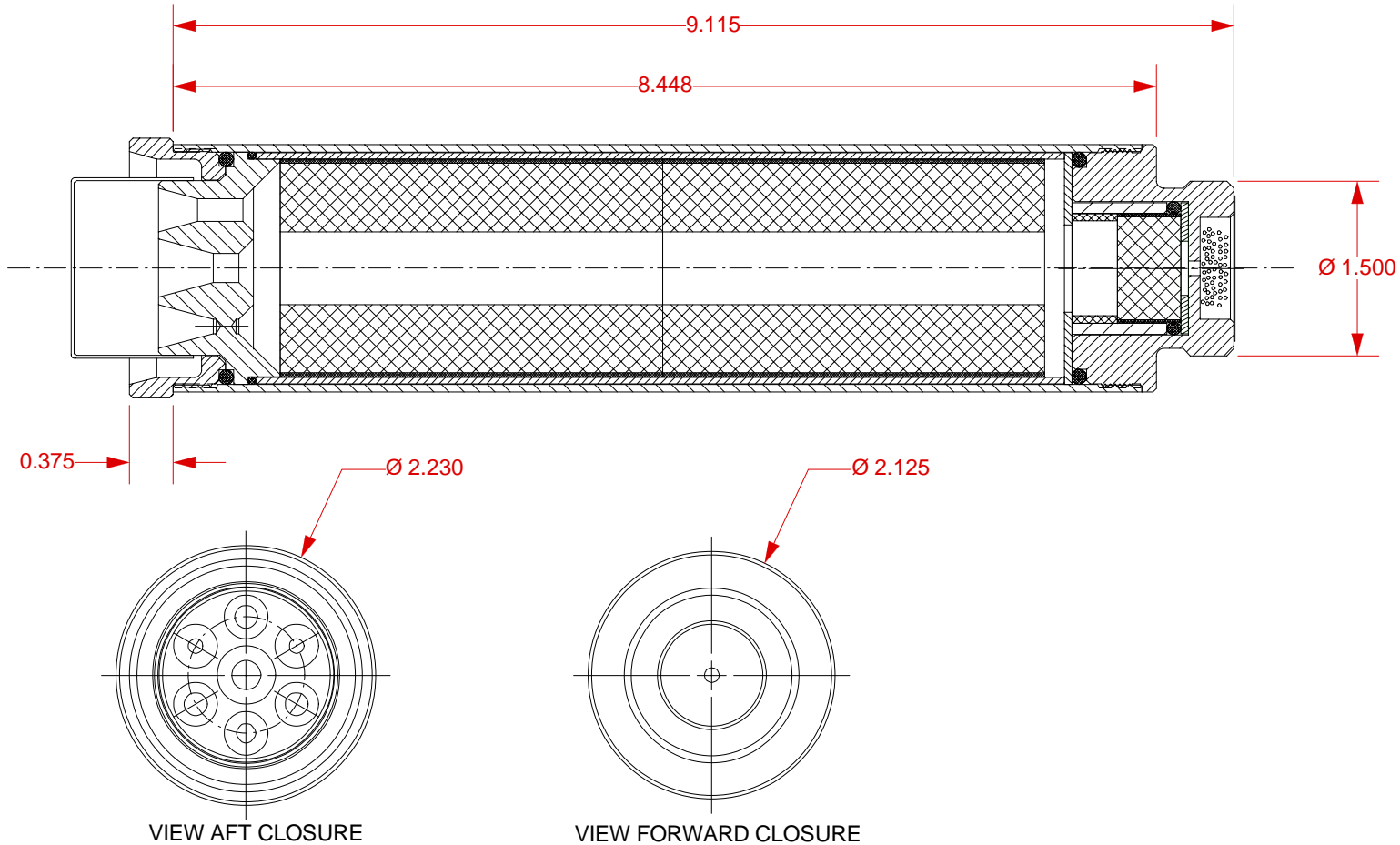
1

REVISIONS

EFFECTIVITY	REV	DESCRIPTION	DATE	APPROVED
FUTURE	A	FIRST RELEASE ISSUE	10 / 21 / 03	

NOTES:

1. MOTOR ASSEMBLY SHOWN WITH OVERALL EXTERIOR DIMENSIONS.



SUPPLIER DATA

RELOAD KIT IDENTIFICATION

UNLESS OTHERWISE SPECIFIED DIMENSIONS ARE IN INCHES

QTY	PART NUMBER	DESCRIPTION	ITEM
		LIST OF MATERIAL	

.XX +/- .010	.XXX +/- .005	ANGLES +/- 2 deg.

MATERIAL

FINISH

CONTRACT NUMBER

PREP B. ROSENFELD 10 / 03
CHKR

APVD

APVD

AEROTECH
CONSUMER AEROSPACE

2113 W. 850 N. Street
Cedar City, Utah 84720
(435) 865-7100 (Ph)
(435) 865-7120 (Fax)

HP 54/852 MOTOR DIMENSIONAL DRAWING

SIZE A NUMBER ASSY DWG

SCALE 1 / 1.5

SHEET 1 OF 1

PART NUMBER

DESCRIPTION

8

7

6

5

4

3

2

1