

8

7

6

5

4

3

2

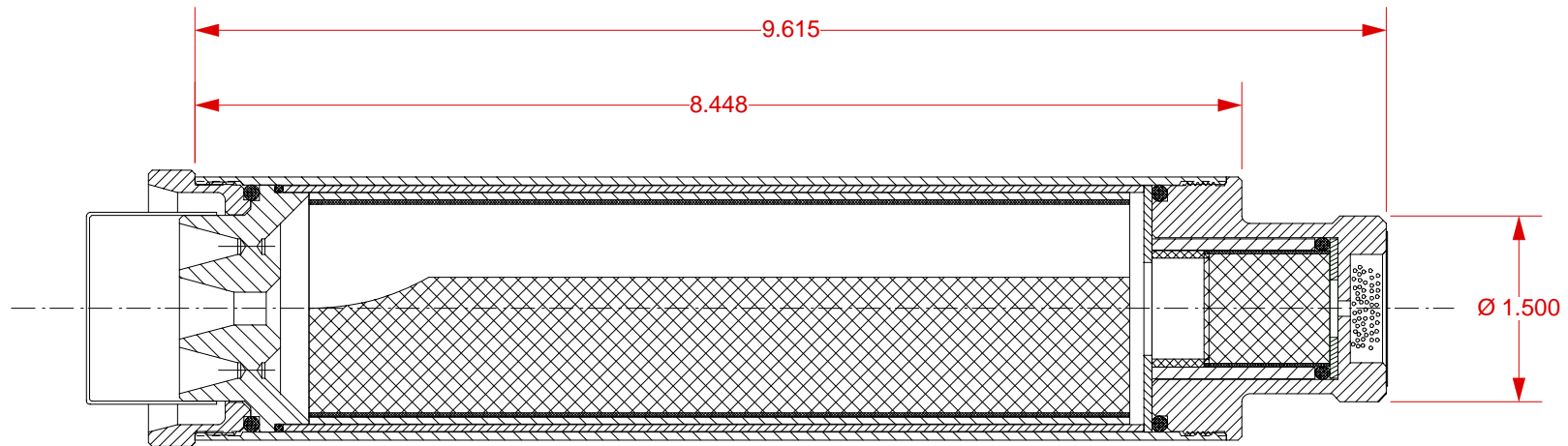
1

### REVISIONS

EFFECTIVITY	REV	DESCRIPTION	DATE	APPROVED
FUTURE	A	FIRST RELEASE ISSUE	10 / 21 / 03	

#### NOTES:

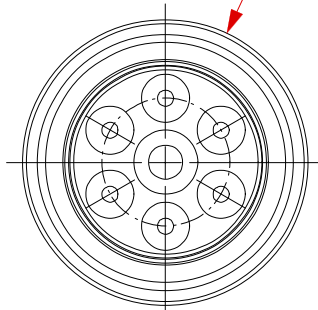
1. MOTOR ASSEMBLY SHOWN WITH OVERALL EXTERIOR DIMENSIONS.



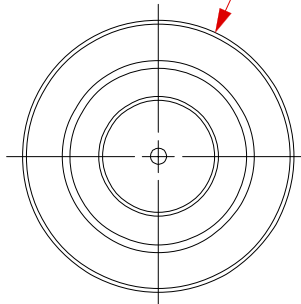
0.375

Ø 2.230

Ø 2.125



VIEW AFT CLOSURE



VIEW FORWARD CLOSURE

#### SUPPLIER DATA

#### RELOAD KIT IDENTIFICATION

UNLESS OTHERWISE SPECIFIED DIMENSIONS ARE IN INCHES

QTY	PART NUMBER	DESCRIPTION	ITEM

.XX  
+/- .010

.XXX  
+/- .005

ANGLES  
+/- 2 deg.

#### LIST OF MATERIAL

CONTRACT NUMBER



2113 W. 850 N. Street  
Cedar City, Utah 84720  
(435) 865-7100 (Ph)  
(435) 865-7120 (Fax)

PREP B. ROSEFIELD 10 / 03  
CHKR

**HP 54/852 MOTOR (LONG BURN)  
DIMENSIONAL DRAWING**

FINISH

APVD  
APVD

SIZE  
**A**

NUMBER  
**ASSY DWG**

PART NUMBER

DESCRIPTION

SCALE 1 / 1.5

SHEET 1 OF 1

8

7

6

5

4

3

2

1