

8

7

6

5

4

3

2

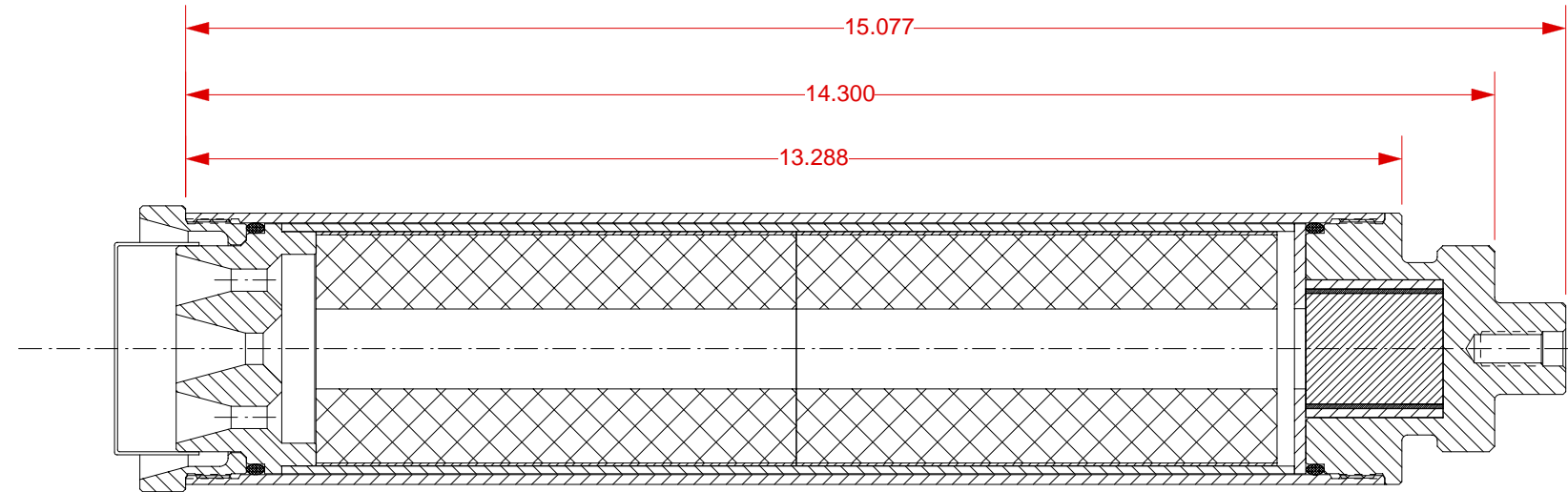
1

REVISIONS

EFFECTIVITY	REV	DESCRIPTION	DATE	APPROVED
FUTURE	A	FIRST RELEASE ISSUE	10 / 22 / 03	

NOTES:

1. MOTOR ASSEMBLY SHOWN WITH OVERALL EXTERIOR DIMENSIONS.



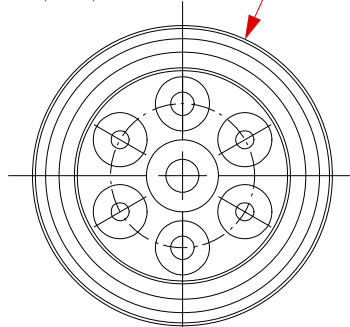
0.500 →

Ø 3.125

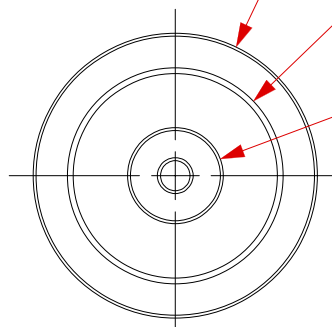
Ø 2.965

Ø 2.250

Ø 1.000



VIEW AFT CLOSURE



VIEW FORWARD CLOSURE

SUPPLIER DATA

RELOAD KIT IDENTIFICATION

UNLESS OTHERWISE SPECIFIED DIMENSIONS ARE IN INCHES

QTY	PART NUMBER	DESCRIPTION	ITEM

.XX	.XXX	ANGLES
+/- .010	+/- .005	+/- 2 deg.

MATERIAL

FINISH

CONTRACT NUMBER



2113 W. 850 N. Street  
Cedar City, Utah 84720  
(435) 865-7100 (Ph)  
(435) 865-7120 (Fax)

PREP B. ROSENFELD 10 / 03

CHKR

APVD

APVD

**HP 75/2560 MOTOR  
DIMENSIONAL DRAWING**

SIZE A

NUMBER

**ASSY DWG**

SCALE 1 / 2

SHEET 1 OF 1

PART NUMBER

DESCRIPTION

8

7

6

5

4

3

2

1