

8

7

6

5

4

3

2

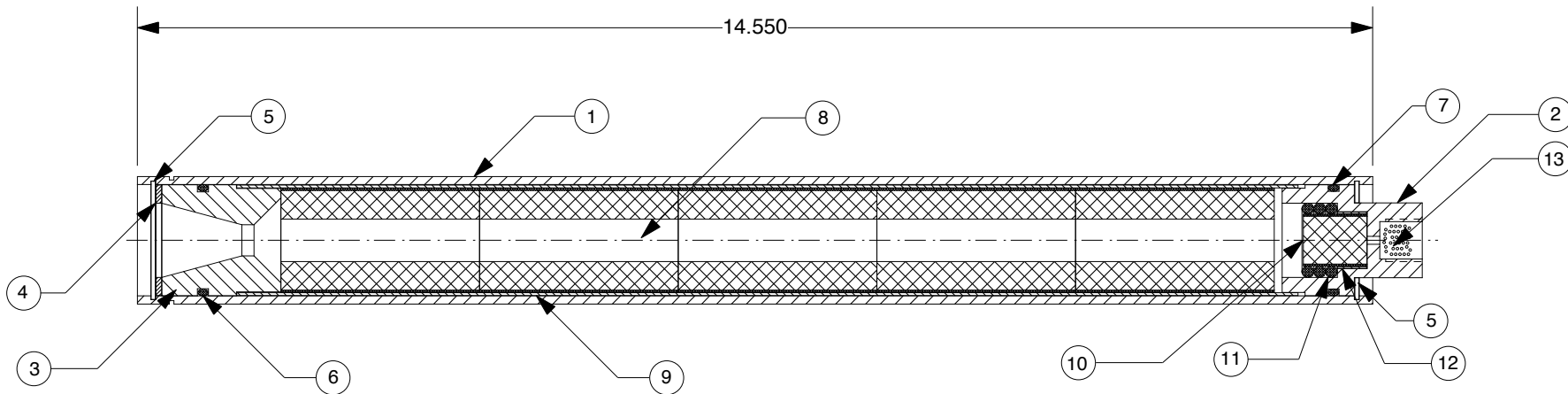
1

REVISIONS

EFFECTIVITY	REV	DESCRIPTION	DATE	APPROVED
FUTURE	A	FIRST RELEASE ISSUE	6 / 5 / 07	

NOTES:

1. MOTOR ASSEMBLY SHOWN WITH SPECIFIED MOTOR HARDWARE & RELOAD KIT.



QTY	PART NUMBER	DESCRIPTION	ITEM
		EJECTION CHARGE (USER FURNISHED)	13
1	K03215	FORWARD DELAY ADAPTER	12
3	K00001	DELAY O-RINGS	11
1	03381	DELAY GRAIN	10
1	K03200-2	LINER	9
5	K03AW38-1	PROPELLANT GRAINS	8
1	K00121	FORWARD O-RING	7
1	K00121	AFT O-RING	6
2	K02020	SNAP RINGS	5
1	K38W	NOZZLE WASHER	4
1	KA38640N	NOZZLE	3
1	KA38B	BULKHEAD	2
1	K38-640	CASE	1

SUPPLIER DATA		RELOAD KIT IDENTIFICATION	
KBA DIV. RCS RMC INC.	K09301X	I301W-18	
PART NUMBER	DESCRIPTION	PART NUMBER	DESCRIPTION

UNLESS OTHERWISE SPECIFIED DIMENSIONS ARE IN INCHES		
.XX +/- .010	.XXX +/- .005	ANGLES +/- 2 deg.
MATERIAL		
NOTED		
FINISH		

LIST OF MATERIAL

CONTRACT NUMBER

PREP G. ROSENFIELD 6 / 07

CHKR

APVD

APVD

SCALE 1 / 1

SHEET 1 OF 1

2113 W. 850 N. St.
Cedar City, UT 84720
(435) 865-7100 (Ph)
(435) 865-7120 (Fax)

RCS ROCKET MOTOR COMPONENTS

KBA™ 38-640 MOTOR WITH I301W-18 ANIMAL-COMPATIBLE RELOAD KIT

SIZE **A** NUMBER **ASSY DWG**

8

7

6

5

4

3

2

1