

8

7

6

5

4

3

2

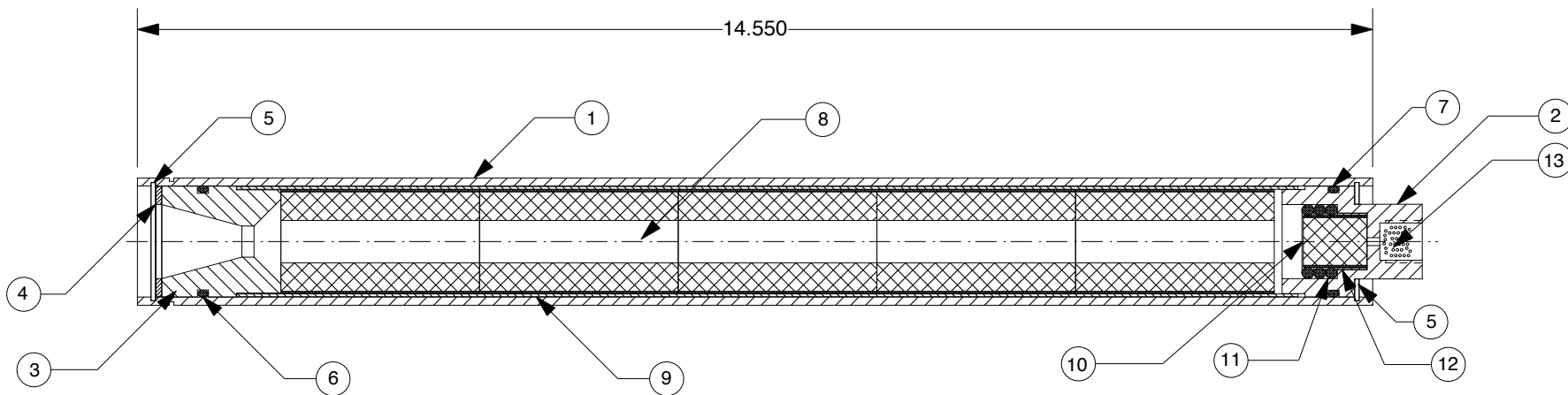
1

REVISIONS

EFFECTIVITY	REV	DESCRIPTION	DATE	APPROVED
FUTURE	A	FIRST RELEASE ISSUE	6 / 5 / 07	

NOTES:

- MOTOR ASSEMBLY SHOWN WITH SPECIFIED MOTOR HARDWARE & RELOAD KIT.



QTY	PART NUMBER	DESCRIPTION	ITEM
		EJECTION CHARGE (USER FURNISHED)	13
1	K03215	FORWARD DELAY ADAPTER	12
3	K00001	DELAY O-RINGS	11
1	03381	DELAY GRAIN	10
1	K03200-2	LINER	9
5	K03AR38-1	PROPELLANT GRAINS	8
1	K00121	FORWARD O-RING	7
1	K00121	AFT O-RING	6
2	K02020	SNAP RINGS	5
1	K38W	NOZZLE WASHER	4
1	KA38640N	NOZZLE	3
1	KA38B	BULKHEAD	2
1	K38-640	CASE	1

SUPPLIER DATA

KBA DIV. RCS RMC INC.

RELOAD KIT IDENTIFICATION

K09550X

I550R-20

UNLESS OTHERWISE SPECIFIED DIMENSIONS ARE IN INCHES

.XX +/- .010	.XXX +/- .005	ANGLES +/- 2 deg.
-----------------	------------------	----------------------

MATERIAL

NOTED

FINISH

PART NUMBER	DESCRIPTION	PART NUMBER	DESCRIPTION

CONTRACT NUMBER		<p>2113 W. 850 N. St. Cedar City, UT 84720 (435) 865-7100 (Ph) (435) 865-7120 (Fax)</p>				
PREP	G. ROSENFELD					
CHKR	6 / 07	<p>KBA™ 38-640 MOTOR WITH I550R-20 ANIMAL-COMPATIBLE RELOAD KIT</p>				
APVD						
APVD		<table border="1"> <tr> <td>SIZE</td> <td>NUMBER</td> </tr> <tr> <td>A</td> <td>ASSY DWG</td> </tr> </table>	SIZE	NUMBER	A	ASSY DWG
SIZE	NUMBER					
A	ASSY DWG					
SCALE 1 / 1		SHEET 1 OF 1				

8

7

6

5

4

3

2

1