

8

7

6

5

4

3

2

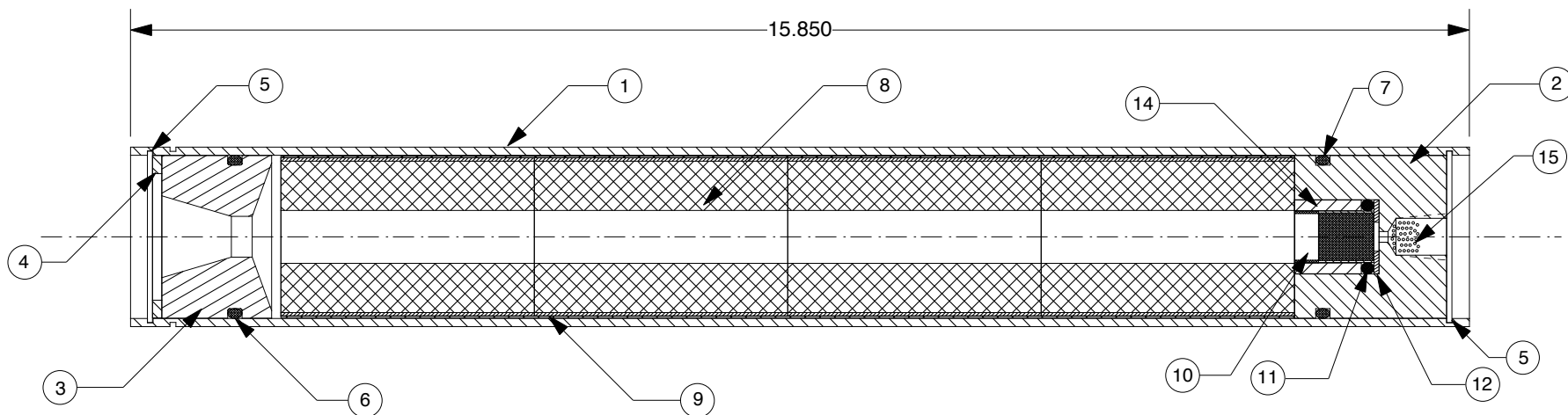
1

REVISIONS

EFFECTIVITY	REV	DESCRIPTION	DATE	APPROVED
FUTURE	A	FIRST RELEASE ISSUE	10 / 04 / 07	

NOTES:

1. MOTOR ASSEMBLY SHOWN WITH SPECIFIED MOTOR HARDWARE & RELOAD KIT.



AR	QTY	PART NUMBER	DESCRIPTION	ITEM
			EJECTION CHARGE (USER FURNISHED)	15
1		K06005	DELAY INSULATOR	14
1		03321	AFT DELAY SPACER .615" O.D X .281" PURPLE	13
1		K06000	FORWARD DELAY SPACER	12
1		K00001	DELAY O-RING	11
1		03375	DELAY GRAIN .61" O.D X .656" RMS-PLUS	10
1		K04025-4	LINER	9
4		K05410	PROPELLANT GRAINS	8
1		K00223	FORWARD O-RING	7
1		K00223	AFT O-RING	6
2		K02020	SNAP RINGS	5
1		K54W	NOZZLE WASHER	4
1		K01115	NOZZLE	3
1		K54B	BULKHEAD	2
1		K54-1400	CASE	1

SUPPLIER DATA		RELOAD KIT IDENTIFICATION	
KBA DIV. RCS RMC INC.		K11700-L	K700F-L
UNLESS OTHERWISE SPECIFIED DIMENSIONS ARE IN INCHES			
		.XX +/- .010	.XXX +/- .005
		ANGLES +/- 2 deg.	
MATERIAL			
NOTED			
FINISH			
PART NUMBER		DESCRIPTION	

LIST OF MATERIAL			
CONTRACT NUMBER			
PREP G. ROSENFELD		2113 W. 850 N. Street Cedar City, Utah 84720 (435) 865-7100 (Ph) (435) 865-7120 (Fax)	
CHKR		K54-1400M KOSDON TRM WITH K700F-L RELOAD KIT	
APVD		SIZE A	NUMBER ASSY DWG
APVD		SCALE 1/2	
		SHEET 1 OF 1	

8

7

6

5

4

3

2

1