

8

7

6

5

4

3

2

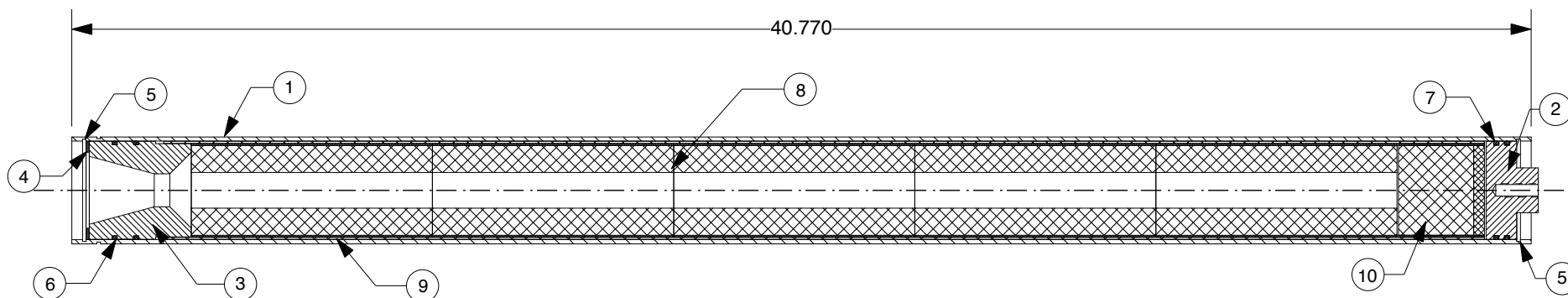
1

REVISIONS

EFFECTIVITY	REV	DESCRIPTION	DATE	APPROVED
FUTURE	A	FIRST RELEASE ISSUE	6 / 28 / 07	

NOTES:

1. MOTOR ASSEMBLY SHOWN WITH SPECIFIED MOTOR HARDWARE & RELOAD KIT.



1	K03293	SMOKE GRAIN	10
1	K03210-5	PHENOLIC LINER	9
5	K03AW75-3	PROPELLANT GRAINS, SLOW WHITE	8
2	K00229	FORWARD O-RINGS	7
2	K00229	AFT O-RINGS	6
2	K02030	SNAP RINGS	5
1	K75W	NOZZLE WASHER	4
1	KA757600N	NOZZLE	3
1	KA75B-P	BULKHEAD	2
1	K75-7600	CASE	1

SUPPLIER DATA

KBA DIV. RCS RMC INC.

RELOAD KIT IDENTIFICATION

K13145P

M1450W-P

UNLESS OTHERWISE SPECIFIED
DIMENSIONS ARE IN INCHES.XX
+/- .010.XXX
+/- .005ANGLES
+/- 2 deg.

MATERIAL

NOTED

FINISH

PART NUMBER

DESCRIPTION

QTY	PART NUMBER	DESCRIPTION	ITEM
LIST OF MATERIAL			
CONTRACT NUMBER		2113 W. 850 N. St. Cedar City, UT 84720 (435) 865-7100 (Ph) (435) 865-7120 (Fax)	
PREP CHKR	G. ROSENFELD 6 / 07	KBA™ 75-7600 MOTOR WITH M1450W-P ANIMAL-COMPATIBLE RELOAD KIT	
APVD APVD	SIZE A	NUMBER ASSY DWG	
SCALE 1 / 4.5			SHEET 1 OF 1

8

7

6

5

4

3

2

1