

8

7

6

5

4

3

2

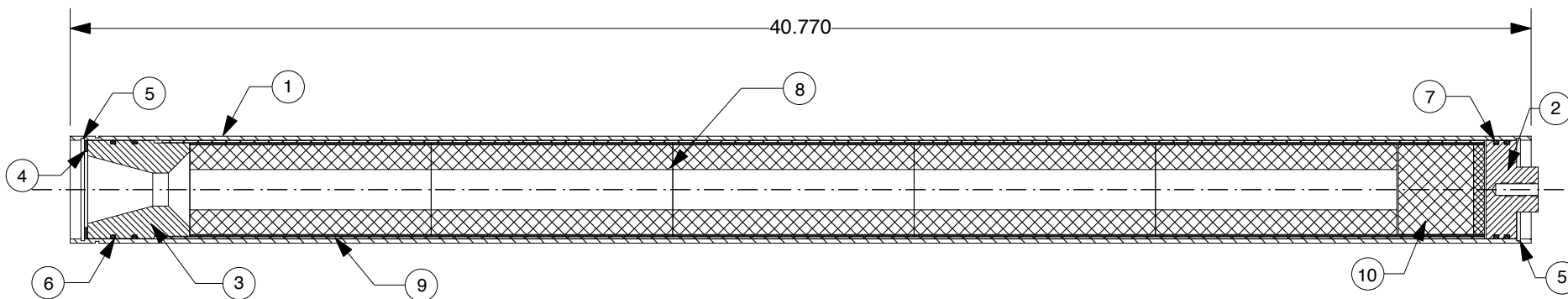
1

REVISIONS

EFFECTIVITY	REV	DESCRIPTION	DATE	APPROVED
FUTURE	A	FIRST RELEASE ISSUE	6 / 28 / 07	


NOTES:

1. MOTOR ASSEMBLY SHOWN WITH SPECIFIED MOTOR HARDWARE & RELOAD KIT.



QTY	PART NUMBER	DESCRIPTION	ITEM
1	K03293	SMOKE GRAIN	10
1	K03210-5	PHENOLIC LINER	9
5	K03AR75-3	PROPELLANT GRAINS, REDLINE	8
2	K00229	FORWARD O-RINGS	7
2	K00229	AFT O-RINGS	6
2	K02030	SNAP RINGS	5
1	K75W	NOZZLE WASHER	4
1	KA757600N	NOZZLE	3
1	KA75B-P	BULKHEAD	2
1	K75-7600	CASE	1

SUPPLIER DATA		RELOAD KIT IDENTIFICATION	
KBA DIV. RCS RMC INC.		K13350P	M3500R-P
UNLESS OTHERWISE SPECIFIED DIMENSIONS ARE IN INCHES			
		.XX +/- .010	.XXX +/- .005
		ANGLES +/- 2 deg.	
MATERIAL			
NOTED			
FINISH			
PART NUMBER		DESCRIPTION	

CONTRACT NUMBER		 2113 W. 850 N. St. Cedar City, UT 84720 (435) 865-7100 (Ph) (435) 865-7120 (Fax)	
PREP	G. ROSENFELD	6 / 07	KBA™ 75-7600 MOTOR WITH M3500R-P ANIMAL-COMPATIBLE RELOAD KIT
CHKR			
APVD		SIZE	NUMBER
APVD		A	ASSY DWG
SCALE 1/4.5		SHEET 1 OF 1	

8

7

6

5

4

3

2

1