

8

7

6

5

4

3

2

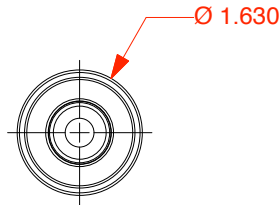
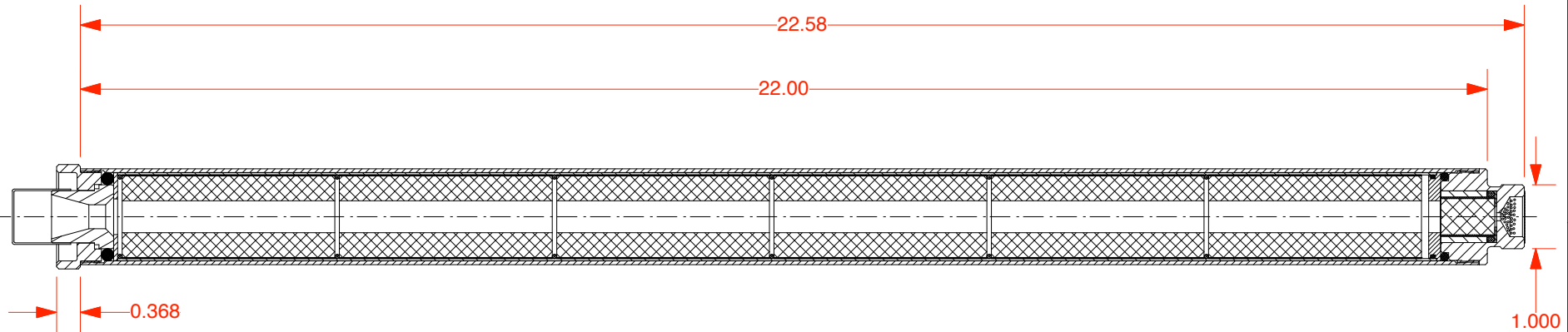
1

REVISIONS

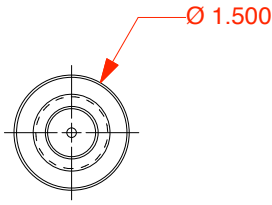
EFFECTIVITY	REV	DESCRIPTION	DATE	APPROVED
FUTURE	A	FIRST RELEASE ISSUE	1 / 8 / 12	

NOTES:

- 1. MOTOR ASSEMBLY SHOWN WITH OVERALL EXTERIOR DIMENSIONS.



VIEW AFT CLOSURE



VIEW FORWARD CLOSURE

SUPPLIER DATA

RELOAD KIT IDENTIFICATION

UNLESS OTHERWISE SPECIFIED DIMENSIONS ARE IN INCHES

.XX +/- .010	.XXX +/- .005	ANGLES +/- 2 deg.
-----------------	------------------	----------------------

MATERIAL

NOTED

FINISH

QTY	PART NUMBER	DESCRIPTION	ITEM
-----	-------------	-------------	------

LIST OF MATERIAL

CONTRACT NUMBER



2113 W. 850 N. Street
Cedar City, Utah 84721
(435) 865-7100 (Ph)
(435) 865-7120 (Fax)

PREP G. ROSENFELD 1 / 12

CHKR

APVD

APVD

**HP 38/1320 MOTOR
DIMENSIONAL DRAWING**

SIZE **A** NUMBER **ASSY DWG**

SCALE 1 / 2.5

SHEET 1 OF 1

PART NUMBER

DESCRIPTION

8

7

6

5

4

3

2

1