

8

7

6

5

4

3

2

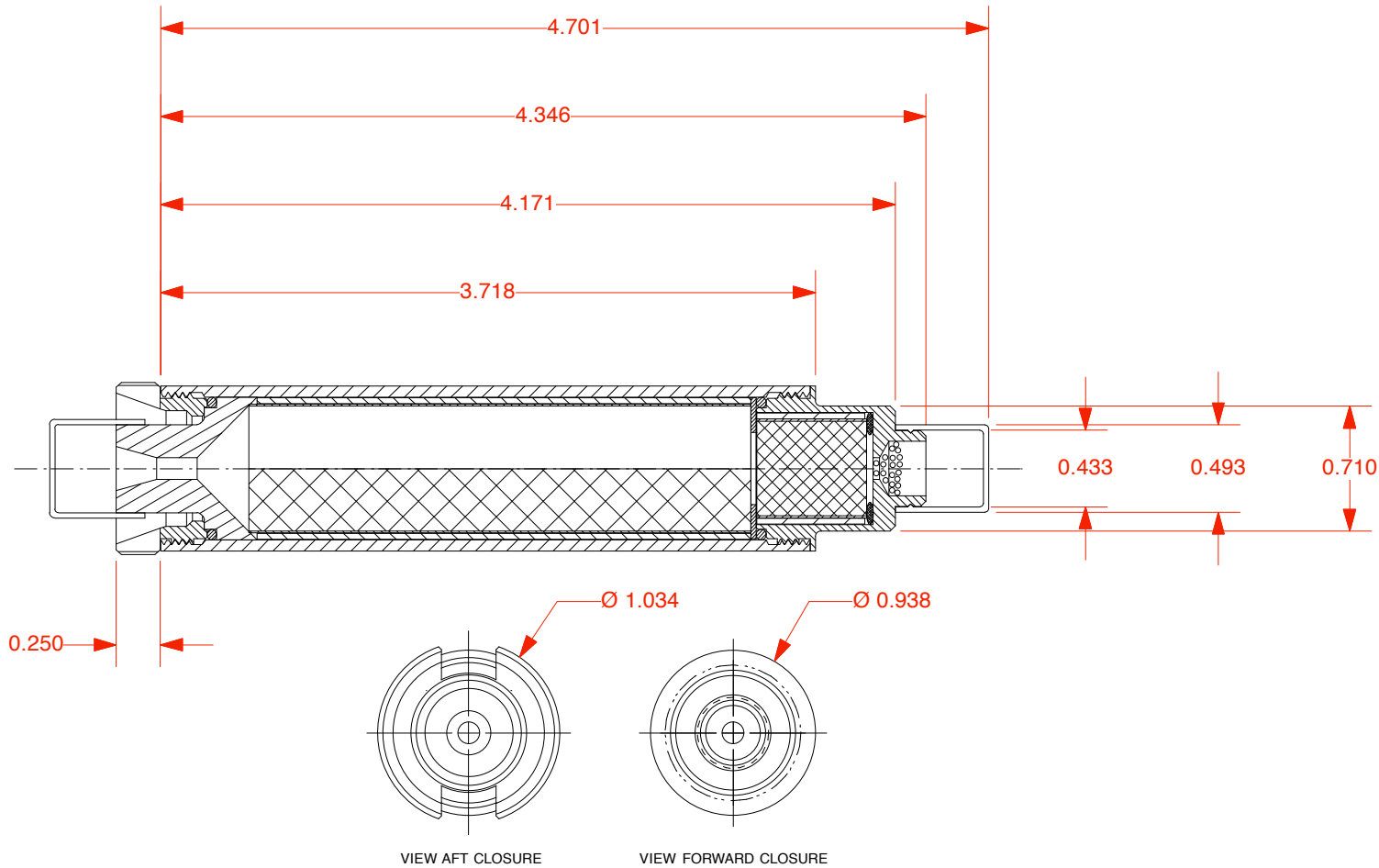
1

REVISIONS

| EFFECTIVITY | REV | DESCRIPTION         | DATE         | APPROVED |
|-------------|-----|---------------------|--------------|----------|
| FUTURE      | A   | FIRST RELEASE ISSUE | 11 / 25 / 14 |          |

NOTES:

1. MOTOR ASSEMBLY SHOWN WITH OVERALL EXTERIOR DIMENSIONS.



SUPPLIER DATA

RELOAD KIT IDENTIFICATION

UNLESS OTHERWISE SPECIFIED DIMENSIONS ARE IN INCHES

|                 |                  |                      |
|-----------------|------------------|----------------------|
| .XX<br>+/- .010 | .XXX<br>+/- .005 | ANGLES<br>+/- 2 deg. |
|-----------------|------------------|----------------------|

MATERIAL

NOTED

FINISH

| QTY | PART NUMBER | DESCRIPTION | ITEM |
|-----|-------------|-------------|------|
|-----|-------------|-------------|------|

LIST OF MATERIAL

CONTRACT NUMBER

**RCS** ROCKET MOTOR COMPONENTS, INC.  
 2113 W. 850 N. Street  
 Cedar City, Utah 84721  
 (435) 865-7100 (Ph)  
 (435) 865-7120 (Fax)

PREP G. ROSENFELD 11 / 14

CHKR

APVD

APVD

RMS-24/60 MOTOR DIMENSIONAL DRAWING

SIZE A NUMBER ASSY DWG

SCALE 1 / 1

SHEET 1 OF 1

PART NUMBER

DESCRIPTION

8

7

6

5

4

3

2

1